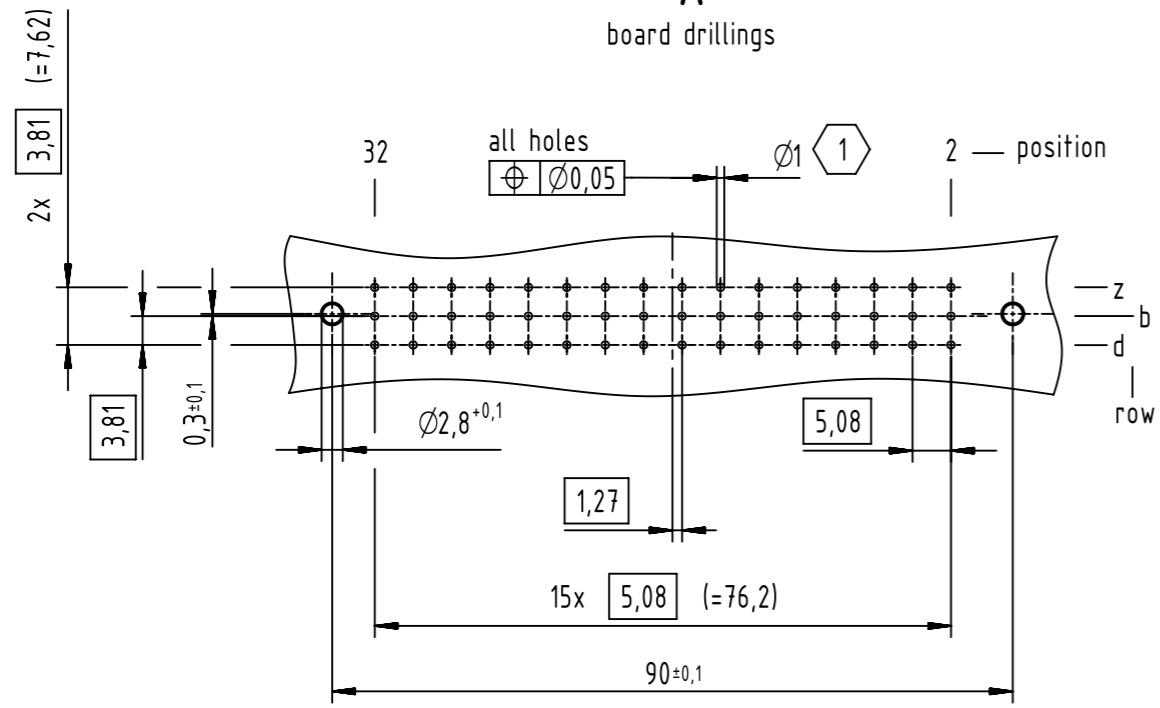
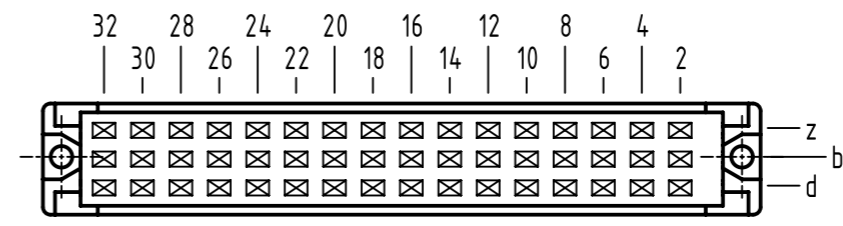


A
board drillings



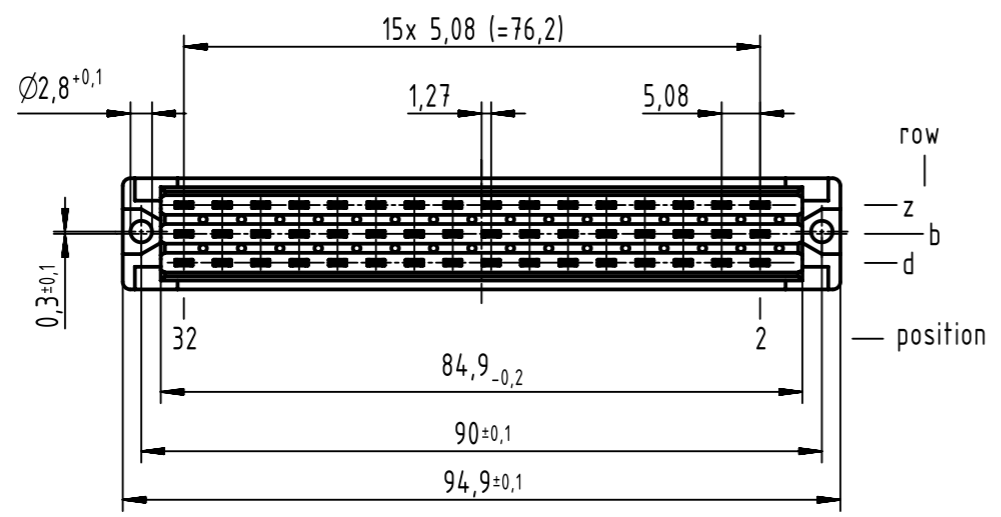
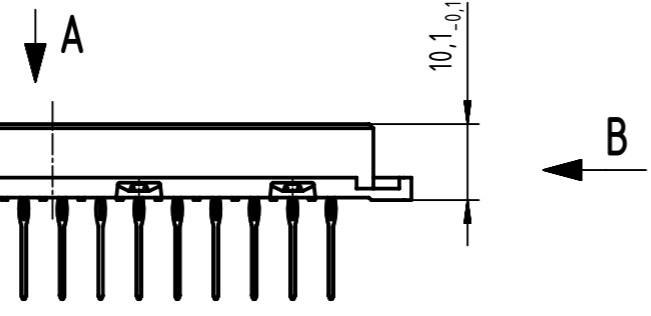
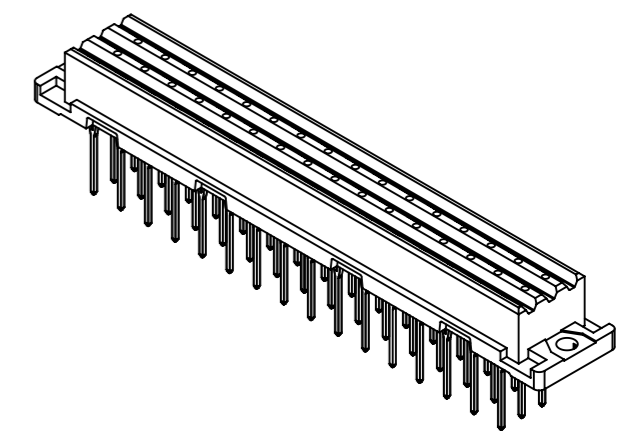
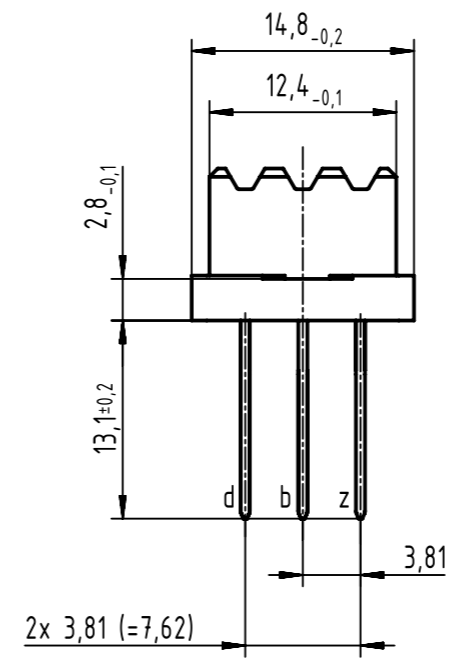
A
contact arrangement



48 press-in contacts

☒ = position with contact
☐ = position without contact

B (2:1)



1 recommended configuration of plated through holes and further information see: DS 09062100002

09 06 248 5837 015	1
part-no.	performance level 1

	All Dimensions in mm Original Size DIN A3	Scale 1:1	Free size tol.	Ref. Sub. TB 09062485837015 / 50000061616 / 2013-04-29	
	All rights reserved Department EC PD - DE	Created by STORCK	Inspected by ELLERMANN	Standardisation HOFFMANN	Date 2015-02-16
HARTING Electronics GmbH D-32339 Espelkamp	Title DIN Power type F low-profile female			Doc-Key / ECM-Nr. 100102874/UGD/027/C 50000085262	
	Type TB	Number 09062485837015		Rev. C	Page 1/1